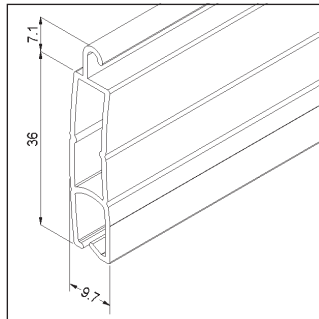
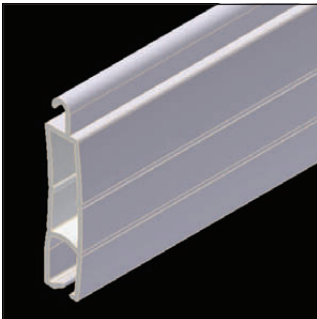


## 36MM EXTRUDED ROLLER SHUTTER

(High Security Commercial)



This roller shutter range is made with a precision extruded roller shutter profile, and is suitable for many commercial and industrial grade applications.

### SUITABLE APPLICATIONS

- Commercial Windows.
- Commercial Shop Fronts & Doorways.
- Garage Doors.
- High Protection for Factories, Warehouses, Clubs, Pubs & Hotels, Restaurants, Pharmacies, Sports Complexes, Arcades, Shopping Mall Entrances, Mining & High Security Areas.

### FEATURES

- High quality, strong aluminium alloy construction.
- Commercial grade double wall extruded profile for heavy duty strength.
- High quality powder coated finish for maximum abrasion resistance.
- Double line grooved and slight curved face profile.
- Roll-tight design.
- Range of colours.
- Heavy duty steel axle with high quality internal sealed bearings.
- Suitable for widespan widths up to 5800mm.
- Can be manually operated or motorised.
- Made in Australia.

### TECHNICAL SPECIFICATIONS

Maximum Shutter Width	5800mm (with Winged Slat Locks)
Maximum Shutter Height	3000mm
Maximum Surface Area	12m <sup>2</sup>
Curtain Weight/Metre <sup>2</sup>	7.5kg
Number Of Slats/Metre	28
Profile Slat Covering	36mm
Profile Slat Thickness	9.7mm
Axle Types	Octagonal Steel
Bottom Bar Dimensions	55mm x 8.5mm
Guide Dimensions	68mm x 25mm/14mm (Heavy Duty Guide)
Paint Finish	High Quality Powder Coat Finish



# MADE TO MEASURE ROLLER SHUTTERS

## PELMET SIZES & MAXIMUM SHUTTER HEIGHT STANDARD SLAT LOCKS

Pelmet Box Size	Max. No. Of Slats	Max. Shutter Height (Including Pelmet)	Axle Size
180mm	47	1800mm	60mm
205mm	54	2020mm	70mm
230mm	70	2600mm	70mm
250mm	88	3250mm*	101mm with adaptor

\* Measurement exceeds recommended maximum shutter height. May be allowed if other technical specifications are met. Check with your local CW Products representative.

## WINGED SLAT LOCKS

180mm	35	1350mm	60mm
205mm	43	1650mm	70mm
230mm	70	2600mm	70mm
250mm	75	2800mm	101mm with adaptor
300mm	81	3000mm	130mm with adaptor

## ROLLER SHUTTER COLOUR OPTIONS

Profiles	Pelmets/Side Frames/Guides/Bottom Bars
Cream	Cream
Magnolia Cream	Magnolia Cream
Clear Beige	Clear Beige
White	White
Shale Grey	Shale Grey
Black	Brown
Monument	Black
Anodised Silver	Monument
Woodland Grey	Woodland Grey

Powder coated options available (charges apply).

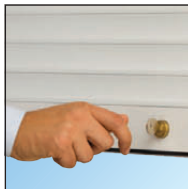
Coastal Treatment for side frames is strongly recommended for shutters installed close to beach or other salt water environments. Request Coastal Treatment on your order.

## CONTROL OPTIONS

### Manual Options Motorised Options



Steel Cable Winder (Up To 50Kg)\*



Spring Loaded With Key Lock



Remote Control With SolarSmart™ Plus Automation 12V Motor (Up To 50Kg)\*



PowerSmart™ Control System With 12V Motor (Up To 50Kg)\*



Wall Switch With 240V Electric Motor\*



Remote Control With 240V Electric SIMU Hz Motor\*

### Motorised Options (continued)



Key Switch With 240V Electric Motor\*



Crank Handle With 240V Electric Manual Override Motor



Remote Control (Key Ring Transmitter) With 240V Electric Motor & Multi-Function SIMU SD100 Hz Radio Receiver & Control Unit\*

\* Control options must be installed in an indoor environment.

CW Products recommends the use of Photo Safety Cells, a Safety Brake and/or a Safety Edge when installing automated roller shutters over openings and doorways. Especially when the roller shutter is not in full view of the operator (eg. when using a remote control or wall switch positioned away from the roller shutter and out of view). When using a wall switch, we recommend a spring return switch/deadman switch.

To order please complete a [CW Products Made To Measure Roller Shutter Order Form](#).