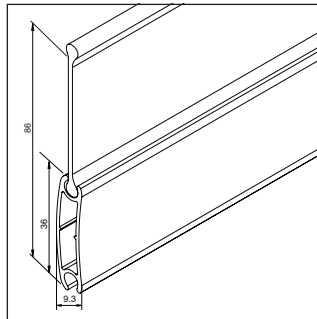
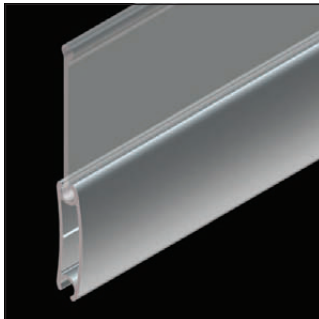


EASYVIEW™ ROLLER SHUTTER

Brings The Outdoors Indoors!



This roller shutter system is made with a combination of a precision extruded aluminium profile and a transparent, UV resistant polycarbonate profile, which provides added protection and permanent views of the outdoors. It is suitable for many commercial and domestic applications.

SUITABLE APPLICATIONS

- Terrace Restaurants & Cafes.
- Internal Separation Barriers.
- Counter Tops/Serveries.
- Shopping Centre Closures.
- Domestic Verandah & Patio Enclosures.

FEATURES

- High quality, strong aluminium alloy and polycarbonate construction.
- Commercial grade double wall extruded profile for heavy duty strength.
- UV resistant 60mm polycarbonate profile.
- Stronger, larger & clearer polycarbonate profile with 20% more light & vision.
- High rigidity bottom bar (compatible with bottom bar foot).
- High quality powder coated finish for maximum abrasion resistance.
- Roll-tight design.
- Range of colours.
- Heavy duty steel axle with high quality internal sealed bearings.
- Fully retractable into an enclosed pelmet.
- Suitable for widespan widths up to 4400mm.
- Can be manually operated or motorised.
- Made in Australia.

TECHNICAL SPECIFICATIONS

Maximum Shutter Width	4400mm
Maximum Shutter Height	3000mm
Maximum Surface Area	10m ²
Curtain Weight/Metre ²	4.7kg
Number Of Slats/Metre	11.6 (combined aluminium & polycarb slats)
Profile Slat Covering	36mm Aluminium/60mm Polycarb
Profile Slat Thickness	9.3mm Aluminium/4mm Polycarb
Axle Types	Steel (minimum roll 100mm)
Bottom Bar Dimensions	60mm x 11.5mm
Guide Dimensions	68mm x 25mm/14mm (Heavy Duty Guide)
Paint Finish	High Quality Powder Coat Finish

Note: EasyView is suitable for internal & external use in low to medium wind environments. For high wind applications exceeding 25 km/h please consult a professional engineer to determine suitability or contact your CW Products representative. The EasyView product warranty does not cover excessive wind damage.

Note: The EasyView polycarbonate slat profile will show signs of wear and tear over time. This is considered normal wear and tear, and happens with all polycarbonate products in general.

MADE TO MEASURE ROLLER SHUTTERS

PELMET SIZES & MAXIMUM SHUTTER HEIGHT WINGED SLAT LOCKS

Pelmet Box Size	Max. No. Of Slats	Max. Shutter Height (Including Pelmet)	Axle Size
180mm	16	1400mm	101mm with adaptor
205mm	18	1600mm	130mm
205mm	24	2100mm	101mm with adaptor
230mm	28	2400mm	130mm
230mm	34	2900mm	101mm with adaptor
250mm	37	3200mm*	130mm
250mm	41	3500mm*	101mm with adaptor

* Measurement exceeds recommended maximum shutter height. May be allowed if other technical specifications are met. Check with your local CW Products representative.

ROLLER SHUTTER COLOUR OPTIONS

Profiles	Pelmets/Side Frames/Guides/Bottom Bars
Cream	Cream
Magnolia Cream	Magnolia Cream
Clear Beige	Clear Beige
White	White
Shale Grey	Shale Grey
Black	Brown
Monument	Black
Anodised Silver <small>TBD</small>	Monument
Woodland Grey	Woodland Grey
Clear Polycarbonate	
Tinted Polycarbonate	

TBD - Product to be discontinued in the future or when stock is depleted.

Coastal Treatment for side frames is strongly recommended for shutters installed close to beach or other salt water environments. Request Coastal Treatment on your order.

WIND SPEEDS & MAXIMUM SHUTTER WIDTH

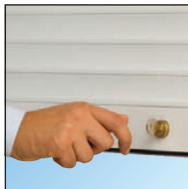
Wind Speed m/sec	Wind Speed km/h	Max. Shutter Width	Max. Surface Area
11.2m/sec	40km/h	4400mm	10m ²
13m/sec	46km/h	3520mm	10m ²
15.8m/sec	56km/h	3060mm	9.18m ²
20.4m/sec	73km/h	2670mm	8.01m ²

CONTROL OPTIONS

Manual Options



Steel Cable Winder (Up To 50Kg)*



Spring Loaded With Key Lock (Up To 3.2m Wide)



Crank Handle With Gear Ace (Up To 30Kg)

Motorised Options



Remote Control With SolarSmart™ Plus Automation 12V Motor (Up To 50Kg)*



PowerSmart™ Control System With 12V Motor (Up To 50Kg)*



Wall Switch With 240V Electric Motor*

Motorised Options (continued)



Remote Control With 240V Electric SIMU Hz Motor*



Key Switch With 240V Electric Motor*



Crank Handle With 240V Electric Manual Override Motor



Remote Control (Key Ring Transmitter) With 240V Electric Motor & Multi-Function SIMU SD100 Hz Radio Receiver & Control Unit*

CW Products recommends the use of Photo Safety Cells, a Safety Brake and/or a Safety Edge when installing automated roller shutters over openings and doorways. Especially when the roller shutter is not in full view of the operator (eg. when using a remote control or wall switch positioned away from the roller shutter and out of view). When using a wall switch, we recommend a spring return switch/deadman switch.

* Control options must be installed in an indoor environment.

To order please complete a **CW Products Made To Measure Roller Shutter Order Form**.