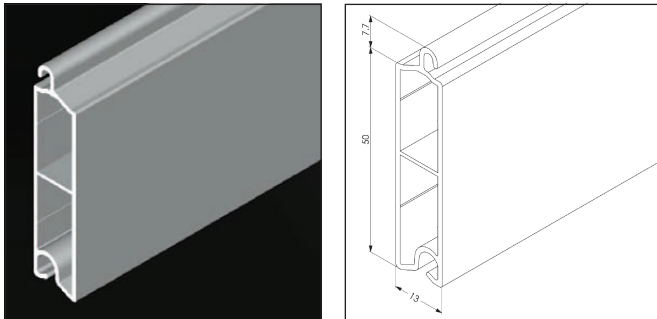


IR50MM (INTRUDER RESISTANT) EXTRUDED ROLLER SHUTTER

(High Security Commercial)



* IR50mm Extruded Roller Shutters are not supplied with a pelmet. If a pelmet is required, customers will need to fabricate their own solution.



This roller shutter range is made with a precision extruded roller shutter profile, and is suitable for many high-security commercial and industrial grade applications.

SUITABLE APPLICATIONS

- Commercial Windows.
- Commercial Shop Fronts & Doorways.
- Garage Doors.
- Scoreboards.
- High Security for Factories, Warehouses, Clubs, Pubs & Hotels, Restaurants, Pharmacies, Sports Complexes, Arcades, Shopping Mall Entrances, Mining & High Security Areas.

FEATURES

- High quality, strong aluminium alloy construction.
- Commercial grade double wall extruded profile for heavy duty strength.
- High quality powder coated finish or natural anodise.
- Flat face profile on both sides allows for sign writing.
- Range of colours.
- Tubular motor or side motor (SIMUBOX) options.
- Single Phase and 3 Phase (High-Cycle) motor options.
- Safety Brakes are fitted as standard.
- 101.6mm x 2mm & 139.7mm x 3.5mm round steel axles.
- Suitable for widespan widths up to 7600mm (6100mm anodised).
- Motorised operation.
- Made in Australia.

TECHNICAL SPECIFICATIONS

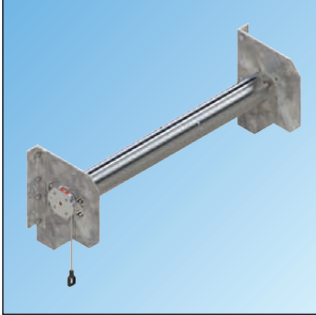
Maximum Shutter Width	7600mm (6100mm Anodised)
Maximum Shutter Height	4500mm Drop + 500mm Head Room
Maximum Surface Area	24m ²
Curtain Weight/Metre ²	9kg
Number Of Slats/Metre	20
Profile Slat Covering	50mm
Profile Slat Thickness	13mm
Axle Types	Round Steel
Bottom Foot Dimensions	75mm x 50mm
Guide Dimensions	82mm x 29mm/16mm (Heavy Duty Guide)
Paint Finish	High Quality Powder Coat Finish

Note: CW Products includes a Safety Brake on all IR50mm Intruder Resistant Extruded Roller Shutters. To remain compliant with Australian Standards, CW Products strongly advises installation of at least one safety device such as Photo Safety Cells or a Safety Edge System when installing automated roller shutters in egress areas and doorways.

Note: Should automatic or semi-automatic operation not be required, then it is acceptable to have a switch controlling the shutter configured in a Deadman or Unstable switching configuration for closing the shutter. Latched or Stable switching is acceptable for opening the shutter. The switch should be positioned in a location that allows the switch operator a clear and unobstructed view of the door being operated.

MADE TO MEASURE ROLLER SHUTTERS

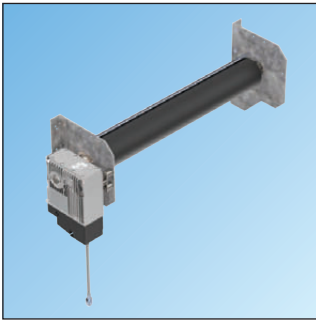
MOTOR/BACKET/AXLE ASSEMBLY



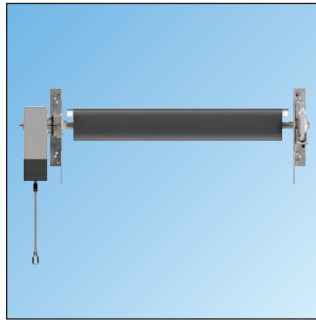
SIMU Tubular Manual
Override Motor Assembly



SIMU Tubular Manual
Override Motor Assembly



SIMUBOX Motor Assembly



SIMUBOX Motor Assembly

* IR50mm Extruded Roller Shutters are not supplied with a pelmet. If a pelmet is required, customers will need to fabricate their own solution.

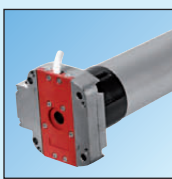
ROLLER SHUTTER COLOUR OPTIONS

Profiles	Guides/Bottom Foot
<input type="checkbox"/> White	<input type="checkbox"/> White
<input type="checkbox"/> Black	<input type="checkbox"/> Black
<input type="checkbox"/> Anodised Silver	<input type="checkbox"/> Anodised Silver

Powder coated options available (charges apply).
Coastal Treatment for side frames is strongly recommended for shutters installed close to beach or other salt water environments.
Request Coastal Treatment on your order.

MOTORISED CONTROL OPTIONS

Single Phase Tubular Motor + Switch Only Option



SIMU Single Phase
Tubular Manual
Override Motor
(T6 DMI)



SIMU Universal
Key Switch*

OR

Single Phase SIMUBOX Motor + Switch Only Option



Single Phase
SIMUBOX Motor



SIMU Universal
Key Switch*

Switch Only Control

SIMU Universal Key Switch
- Deadman (Unstable) and Mixed (Stable) Modes

Note: Only a single switch can be used with tubular motors without additional controller. Multiple switches can be used with SIMUBOX motor in Deadman Mode only.

* Control options must be installed in an indoor environment.

MOTORISED CONTROL OPTIONS (CONTINUED)

Single Phase Tubular Motor + Controller Options



SIMU Single Phase Tubular Manual Override Motor (T6 DMI)



SIMU SD100 Hz Controller*



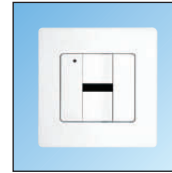
SIMU Key Ring Transmitter*



SIMU Hz Radio Key Pad*



SIMU Hz Dry Contact Transmitter*



SIMU 3 Button Wall Transmitter*



SIMU Universal Key Switch*

OR



SIMU Single Phase Tubular Manual Override Motor (T6 DMI)



CWP S-30 Controller*



Key Ring Transmitter For S-30*



SIMU Universal Key Switch*

* Control options must be installed in an indoor environment.

SIMU SD100 Hz Controller

Sequential Mode (Semi-Automatic & Automatic)

- Multiple Key Switches/Buttons (Unstable)
- SIMU Hz Radio Key Pad
- Key Ring Transmitters

3 Button Mode (Semi-Automatic & Automatic)

- SIMU 3 Button Wall Transmitter
- SIMU Hz Dry Contact Transmitter

* If remote operation is required such as remote controls or connection to a building management system, a Safety Device is required such as Photo Safety Cells and/or Safety Edge.

CWP S-30 Controller

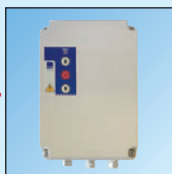
- Sequential or 3 Button Modes via contacts
- Semi-Automatic or Automatic Operation
- Single Key Switch (Stable)
- Multiple Key Switches/Buttons (Unstable)
- Key Ring Transmitters

* If remote operation is required such as remote controls or connection to a building management system, a Safety Device is required such as Photo Safety Cells.

3 Phase Tubular Motor/ 3 Phase SIMUBOX Motor + Controller Options



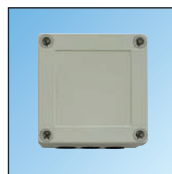
SIMU 3 Phase Tubular Motor (T9)



SIMU SD510 Controller*



SIMU Universal Key Switch*



SIMU SA Hz Standard Receiver*



SIMU Key Ring Transmitter*



SIMU Hz Radio Key Pad*

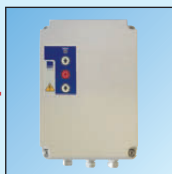


SIMU Hz Dry Contact Transmitter*

OR



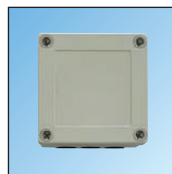
3 Phase SIMUBOX Motor



SIMU SD510 Controller*



SIMU Universal Key Switch*



SIMU SA Hz Standard Receiver*



SIMU Key Ring Transmitter*



SIMU Hz Radio Key Pad*



SIMU Hz Dry Contact Transmitter*

* Control options must be installed in an indoor environment.

SIMU SD510 Controller

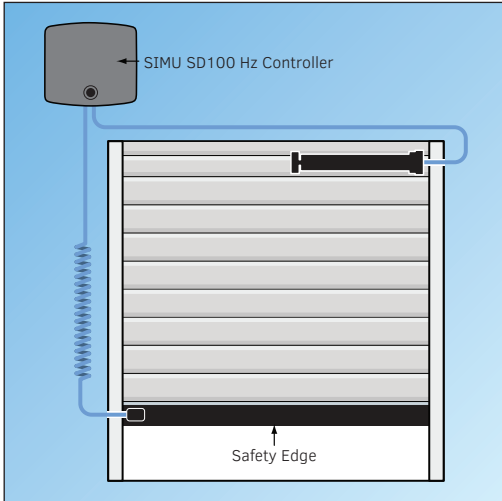
- Automatic Operation
- SIMU SA Hz Standard Receiver (for wireless transmitters)
- Requires no additional Switches/Buttons

- Additional Switching Optional
- SIMU Hz Radio Key Pad
- Key Ring Transmitters

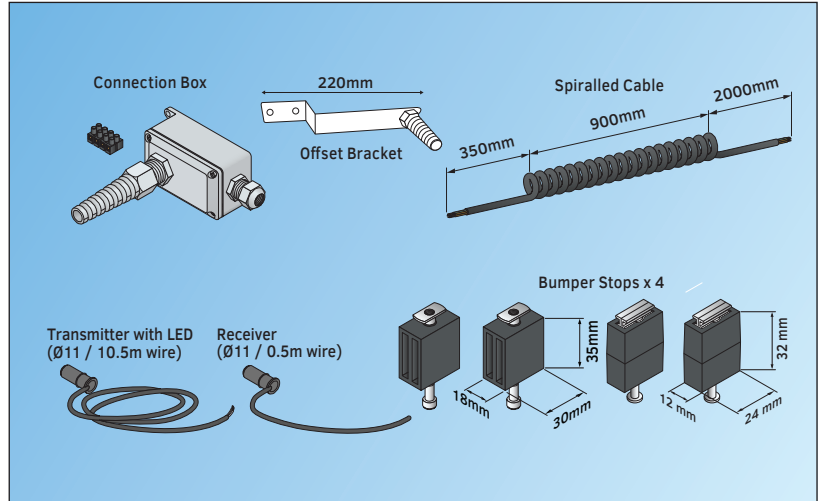
* If remote operation is required such as remote controls or connection to a building management system, a Safety Device is required such as Photo Safety Cells and/or Safety Edge.

SAFETY DEVICE OPTIONS & UPS

Safety Devices



SIMU Safety Edge System



SIMU Safety Edge System Connection Kit

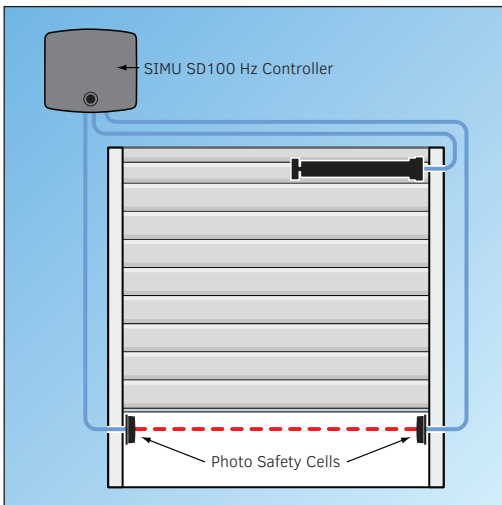


Photo Safety Cells



Photo Safety Cells

UPS Units

UPS options are available. Talk to a CW Products Representative for more information.

To order please complete a [CW Products Made To Measure Roller Shutter Order Form](#).